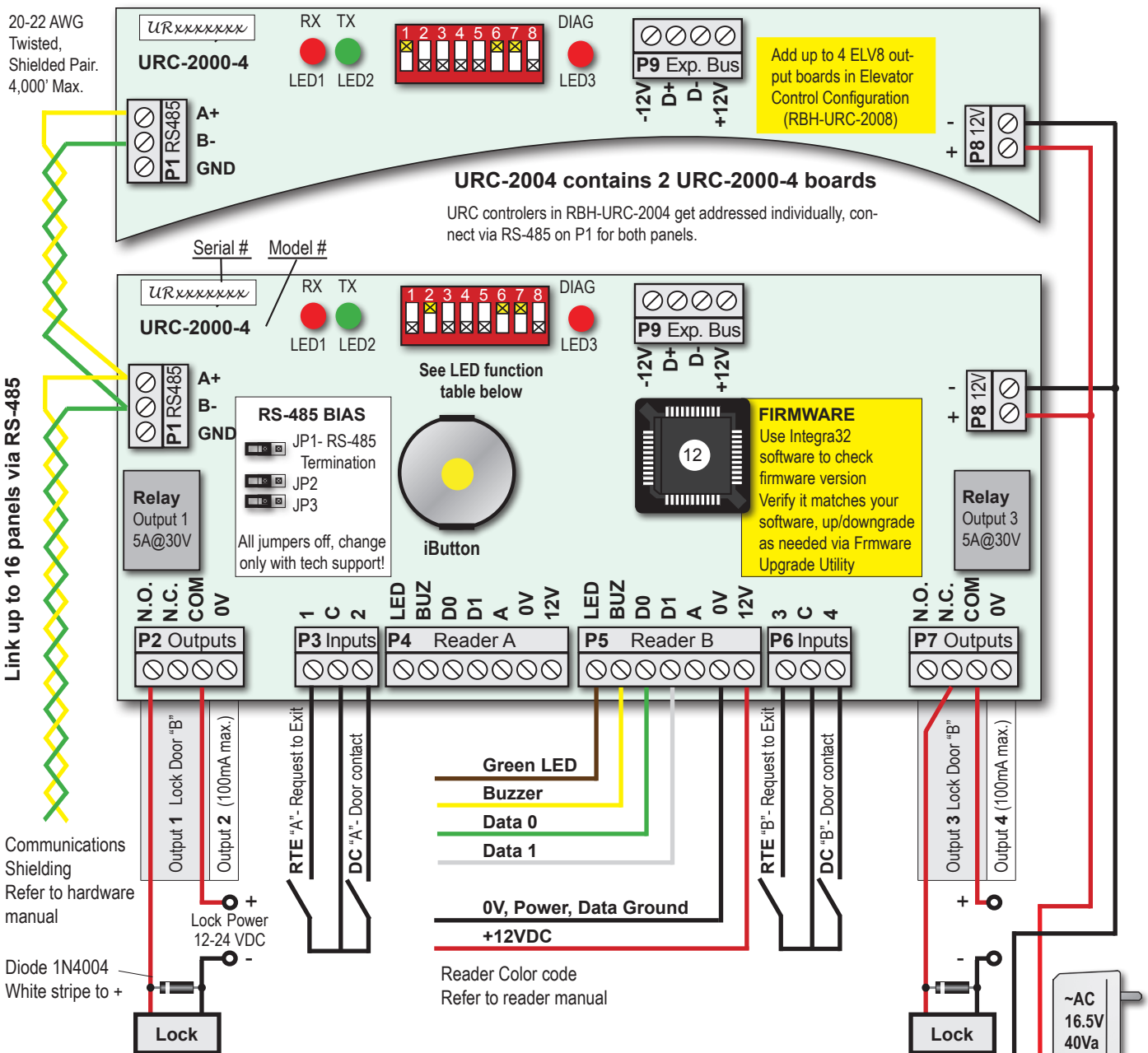


DIP SWITCH SETTINGS : DIP-Switch: UP = ON / DOWN = OFF

Cycle power for DIP-switch changes to take effect!

Switch 8: Always OFF!

Switch	1	2	3	4	5	Switch	1	2	3	4	5	Switch	1	2	3	4	5	Switch	1	2	3	4	5	Switch	6	7
Panel 1	On					Panel 5	On		On			Panel 9	On			On		Panel 13	On		On	On			9.6 K	
Panel 2		On				Panel 6		On	On			Panel 10		On		On		Panel 14		On	On	On			19.2 K	On
Panel 3	On	On				Panel 7	On	On	On			Panel 11	On	On		On		Panel 15	On	On	On	On			38.4 K	On
Panel 4			On			Panel 8				On		Panel 12			On	On		Panel 16					On		56 K	On



Panel LEDs

Panel LEDs	LED1 (Red)	LED2 (Green)	LED3 (Red)
FUNCTION	Receive	Transmit	Host
OFF	Host not polling	Panel not responding	Power is off
ON SOLID	Malfunction	Malfunction	Online
BLINKING	Receiving	Transmitting	Offline

Power Supply (PS-1224) LEDs

Press "BAT. TEST" button on PS-1224 for battery test, Yellow LED will go ON if test failed

LED	On	Off
Green LED	Power On	Power Off
Red LED	Shorted	OK
Yellow LED	Battery Fail	Battery OK

For Support in U.S. Call : 201-663-9070
 All software and hardware manuals are included on Integra32 software DVD in "Documents" folder
 Web site : www.rbh-access.com E-mail : support@rbh-access.com

URC-2000
 Universal Reader Controller
 with ENCL1 enclosure
 and PS-1224 power supply

